



# TRMA Select Series LED Troffer



- ✓ UL, DLC, FCC, CE, RoHS Certified
- ✓ IP40 Weatherproof Rating
- ✓ Color & Power Tunable Switch
- ✓ Durable Plastic & Polycarbonate Housing
- ✓ Lightweight Design
- ✓ 5 Year Limited Manufacturers Warranty
- ✓ 50,000 Hour Rated Lifetime

**Nominal Specifications**

**LifeLux™ STD Rating**

**Power**

20W, 25W, 30W, 35W Adjustable (2 x 2)  
35W, 40W, 45W, 50W Adjustable (2x4)

**Lumen Output**

125 Lm/W

**Color Temperature**

3000K-5000K Adjustable

**Design Life**

50,000 hrs

**Beam Angle**

120 Deg

**CRI**

>80

**Power Factor**

>0.95

**Voltage**

AC 100-277V, 120-347V

**Certifications**

UL, DLC, FCC, CE, RoHS

**Dimensions**

2 x 2 - 23.75" x 23.75" x 3.0" - 5.1 lbs  
2 x 4 - 47.75" x 23.75" x 3.0" - 8.6 lbs

**Warranty**

5 Year Manufacturers Limited Warranty

**ORDERING DATA: Per chart below**

Example : USALED-TRMA22-20-DM-02

| xxxxxx | xxxxxx                               | xxxxxx  | xxxxxx                                 | xxxxxx  | xxxxxx |
|--------|--------------------------------------|---|--|---|--------|
| USALED | Size<br>TRMA22 = 2x2<br>TRMA24 = 2x4 | Wattage<br>35 = 20W / 25W / 30W / 35W<br>50 = 35W / 40W / 45W / 50W | CCT<br>Blank = 3000K<br>3500K<br>4000K | Options<br>D = Dimmable<br>DM = Dim + Motion Sensor 120-277V<br>DE = Dim + EM Backup 120-277V<br>ME = Dim + Motion Sensor + EM Backup 100-277V<br>DH = Dim + 120-347V | 02     |

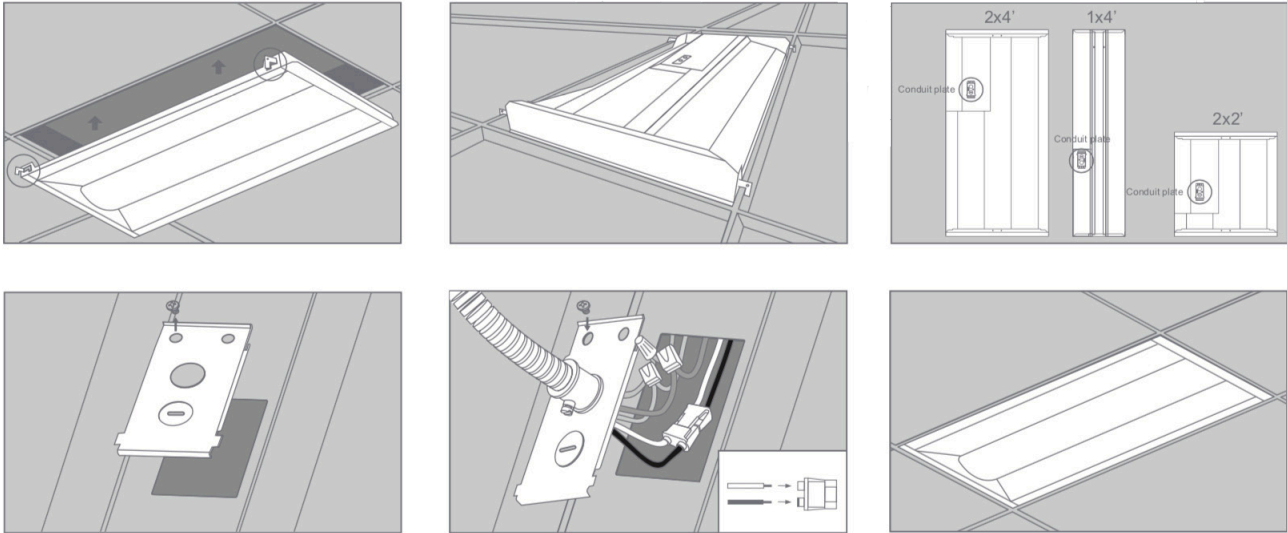
**APPLICATIONS**

Offices, Retail Stores, Hospitals, Hotels, Restaurants,  
Grocery Stores, Commercial Buildings, etc

**FEATURES**

- Plastic Housing
- Aluminum Ballast Pan
- Glare-Free Frosted Lens
- Fire Safety Aircraft Cable





**Installation Summary: (Detailed Instructions provided with Product)**

1. Turn off Power.
2. Disconnect the existing fixture and remove.
3. Open the driver cover on the backside of the troffer with a screwdriver.
3. Connect the wire leads to the driver, securing as necessary.
4. Close and reattach the driver cover.
5. Secure troffer into place.
6. Test light to ensure the electrical connection is sound.
7. Make sure the remote is synced to the light and is operating correctly.

| Model #       | Length | Wattage                          | CCT  | Nominal Lumen Output             |
|---------------|--------|----------------------------------|--|----------------------------------|
| USALED-TRMA22 | 2 ft   | 20W, 25W, 30W, 35W<br>Adjustable | 3000K, 3500K, 4000K, 5000K Adjust-<br>able | 2,500-4,375 lm<br>4,375-6,250 lm |
| USALED-TRMA24 | 4 ft   | 35W, 40W, 45W, 50W<br>Adjustable | 3000K, 3500K, 4000K, 5000K Adjust-<br>able |                                  |