



TRE Series LED Troffer

- ✓ PC & ABS Housing Construction
- ✓ 5 Year Limited Warranty
- ✓ Rated Operating Temperature Of -4°F To 113°F
- ✓ 50,000 Hour Rated Lifetime
- ✓ DLC, UL, FCC, CE, RoHS Certified
- ✓ IP40 Weatherproof Rating

Nominal Specifications

LifeLux™ STD Rating

Power

28W, 35W, 40W, 50W

Lumen Output

125 Lm/W

Color Temperature

3000K, 3500K, 4000K, 5000K, 5500K

Design Life

50,000 hrs

CRI

>80

Power Factor

>0.95

Voltage

AC100-277V

Beam Angle

120 Degree

Certifications

UL, DLC, FCC, CE, RoHS

Dimensions

2 x 2 - 23.75" x 23.75" x 6.25" - 5.1 lbs

2 x 4 - 47.75" x 23.75" x 6.25" - 8.6 lbs

Warranty

5 Year Manufacturers Limited Warranty

IP Rating

IP40

ORDERING DATA: Per chart below

Example : USALED-TRE22-28-30K-OS

xxxxxx	xxxxxx	xxxxxx	xxxxxx	
USALED	Size TRE22 = 2x2 TRE24 = 2x4	Wattage 28 = 28W 35 = 35W 40 = 40W 50 = 50W	Color Temperature 30K = 3000K 35K = 3500K 40K = 4000K 50K = 5000K 55k = 5500K	Options 0-10V Dimming = Blank EM = Emergency Backup OS = Occupancy Sensor

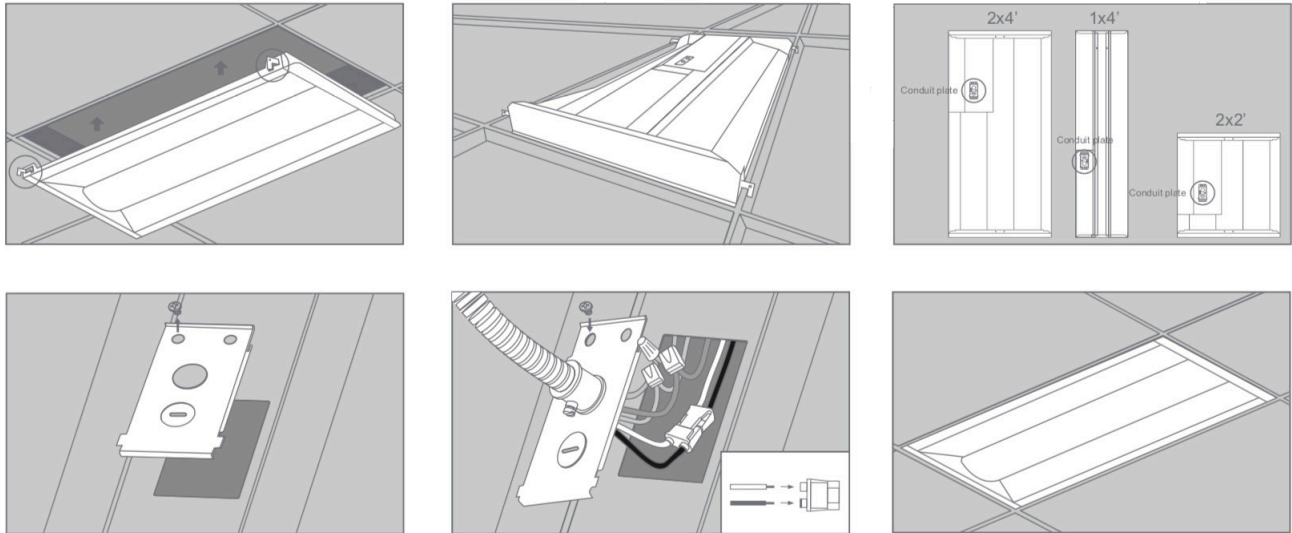
FEATURES

- Plastic or Steel Reflector Housing options
- Aluminum Ballast Pan
- Glare-Free Frosted Lens
- Fire Safety Aircraft Cable

APPLICATIONS

Offices, Retail Stores, Hospitals, Hotels, Restaurants,
Grocery Store and other Commercial Buildings





Installation Summary: (Detailed Instructions provided with Product)

1. Turn off Power.
2. Disconnect the existing fixture and remove.
3. Open the driver cover on the backside of the troffer using a screwdriver.
3. Connect the wire leads to the driver, securing as necessary.
4. Close and reattach the driver cover.
5. Secure the troffer into place.
6. Test light to ensure the electrical connection is sound.

Model #	Length	Wattage	CCT	Nominal Lumen Output
USALED-TRE22-28	2 ft	28W	3000K, 3500K, 4000K, 5000K, 5500K	3,500 lm
USALED-TRE22-35	2 ft	35W	3000K, 3500K, 4000K, 5000K, 5500K	4,375 lm
USALED-TRE24-35	4 ft	35W	3000K, 3500K, 4000K, 5000K, 5500K	4,375 lm
USALED-TRE24-40	4 ft	40W	3000K, 3500K, 4000K, 5000K, 5500K	5,000 lm
USALED-TRE24-50	4 ft	50W	3000K, 3500K, 4000K, 5000K, 5500K	6,250 lm