

LB-VTA SERIES LED VAPOR TIGHT



- ✓ Rated Operating Temperature of -40° To 122° Fahrenheit
- ✓ 50,000 Hour Rated Lifetime
- ✓ 5 Year Manufacturers Warranty
- ✓ Emergency Backup & Occupancy Sensor Optional
- ✓ UL & DLC Certified
- ✓ 20 - 90 Watt Power Range

Nominal Specifications

LifeLux™ STD Rating

Length

2', 4'

Power

20W, 25W, 34W, 38W, 45W, 52W, 65W, 46W, 65W, 75W, 75W, 90W

Voltage

120-277V, 120-347V, 347V, 347-480V

Lumen Output

130 Lm/W

Color Temperature

3500K, 4000K, 5000K

Lens

Frosted

Design Life

60,000 hrs

Beam Angle

270 degrees

CRI

>80

Power Factor

>0.90

Warranty

5 Year Manufacturers Limited Warranty

Certifications

UL, DLC

Dimensions

2FT - 23.6" x 3.5" x 3.1" - 3.306 lbs

4FT - 47.2" x 3.5" x 3.1" - 4.409 lbs

8FT - 94.5" x 3.5" x 3.1" - 7.716 lbs

ORDERING DATA: Per chart below

Example : USALED-VTA-4FT-25-40K-XX

xxxxxx	xxxxxx	xxxxxx	xxxxxx	xxxxxx
USALED	Model	Wattage	Color Temp	Options
	VTA-2FT	20 = 20W	35K = 3500K	XX or Blank = 0-10V Dimming
	VTA-4FT	25 = 25W	40K = 4000K	EM = Emergency Backup
	VTA-8FT	34 = 34W	50K = 5000K	OS = Occupancy Sensor
		38 = 38W		
		45 = 45W		
		52 = 52W		
		65 = 65W		
		46 = 46W		
		65 = 65W		
		75 = 75W		
		90 = 90W		

Kit Includes

Two brackets for Mounting

Mouting options Include, V Hook or Surface Mount

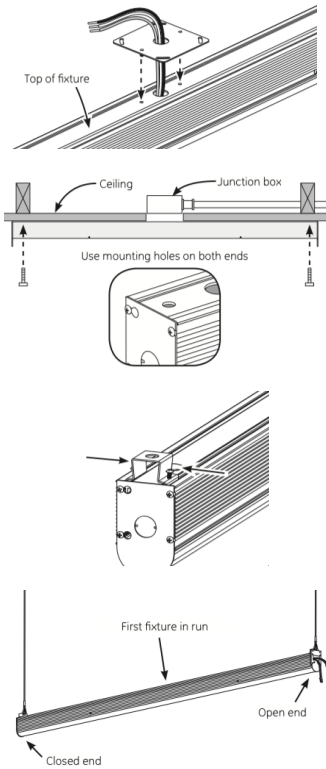
APPLICATIONS

Lobby, Commercial, Industrial, Warehouse, Retail, Mall,

Airport, Subway, Grocery Store

Note : Suitable for Dry and Damp Locations





Installation Summary:

Hanging Installation:

- 1) Turn off power to existing fixture or junction box.
- 2) Disconnect and remove existing fixture if there is one.
- 3) Locate struts or beams to anchor the fixture to.
- 4) Secure the aircraft wire through the hook and onto the anchor, tightening the clamps as necessary.
- 5) Secure the fixture to the wire, and level as necessary.
- 6) Open junction box and locate wires, locating the corresponding wires on the light.
- 7) Connect the corresponding wires on the fixture to the power source. Note: for 0-10V Dimming, test the connection now by powering on the light and using a voltage meter.
- 8) Close the junction box and secure.
- 9) Test the light to ensure the electrical connection is sound.

Direct Installation:

- 1) Turn off power to existing fixture or junction box.
- 2) Disconnect and remove existing fixture if there is one.
- 3) Locate wires inside the power box, locating the corresponding wires on the light.
- 4) Connect the corresponding wires on the fixture to the power source. Note: for 0-10V Dimming, test the connection now by powering on the light and using a voltage meter.
- 5) Lock Mounting Plates in place on the light.
- 6) Close the junction box and secure.
- 7) Using Tech Screws, attach the Mounting Plates to the desired surface, making sure the light is secure.
- 8) Test the light to ensure the electrical connection is sound.

Model #	Length	Wattage	CCT	Nominal Lumen Output
USALED-LBA-2-25	2'	20W	3500K,4000K,5000K	2,620 lm
USALED-LBA-4-25	4'	25W	3500K,4000K,5000K	3,275 lm
USALED-LBA-4-34	4'	34W	3500K,4000K,5000K	4,454 lm
USALED-LBA-4-38	4'	38W	3500K,4000K,5000K	4,978 lm
USALED-LBA-4-45	4'	45W	3500K,4000K,5000K	5,895 lm
USALED-LBA-4-52	4'	52W	3500K,4000K,5000K	6,812 lm
USALED-LBA-4-65	4'	65W	3500K,4000K,5000K	8,515 lm
USALED-LBA-8-46	8'	46W	3500K,4000K,5000K	6,934 lm
USALED-LBA-8-65	8'	65W	3500K,4000K,5000K	8,515 lm
USALED-LBA-8-75	8'	75W	3500K,4000K,5000K	9,802 lm
USALED-LBA-8-90	8'	90W	3500K,4000K,5000K	11,790 lm